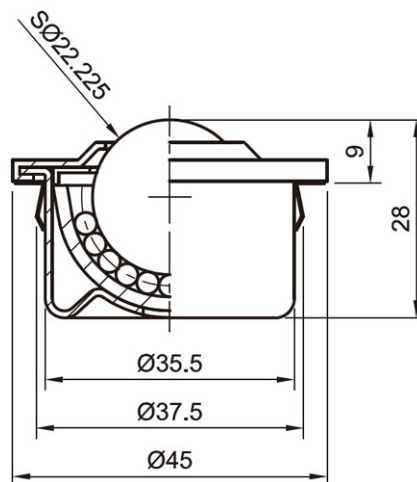


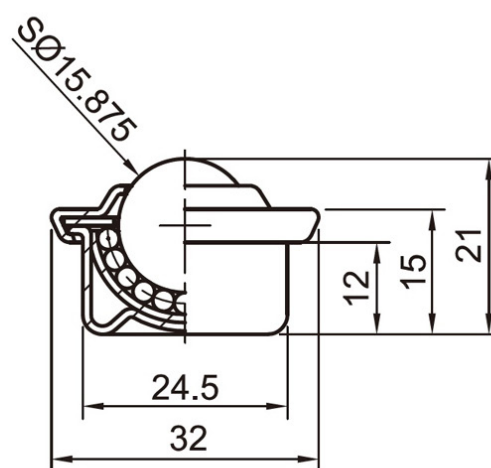
SFERE PORTANTI

WC-02-T



| | |
|----------------|--------------------|
| Body & Surface | Steel, zinc plated |
| Ball Material | Q235 |
| Static Load | 40kg |
| Dynamic Load | 50kg |
| Weight | 126g |

WC-03



| | |
|----------------|--------------------|
| Body & Surface | Steel, zinc plated |
| Ball Material | Q235 |
| Static Load | 15kg |
| Dynamic Load | 17kg |
| Weight | 44g |