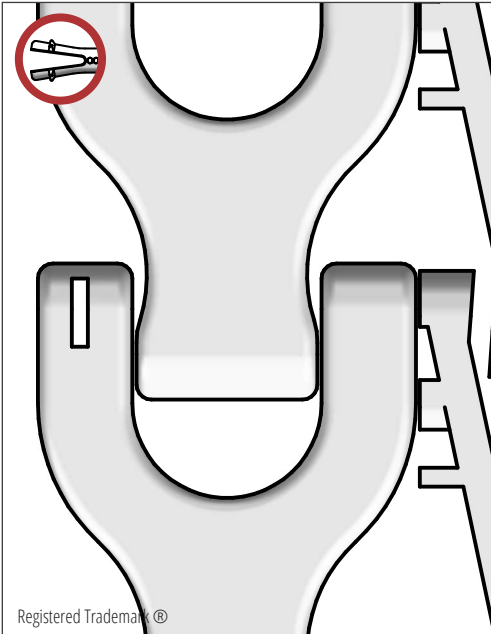


# J.450

The right belt for heavy transportation.  
Spiral coolers, radius conveyors.  
It only runs in J-curves  
FDA approved



**SCANBELT**  
...keeping industry moving...



Registered Trademark ©

## SUGGESTED INDUSTRIES



## STANDARD FEATURES

Belt surface	Smooth
Open area	67 %
Strength	The right belt for heavy transportation.
Cleanability	Good
Width interval	Normally 33 mm. E.g: 95 mm, 128, 162 mm etc.
Construction	47/50 mm side modules, 200 mm centre modules

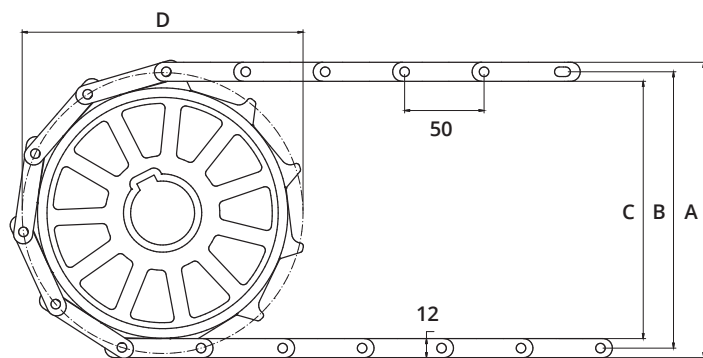
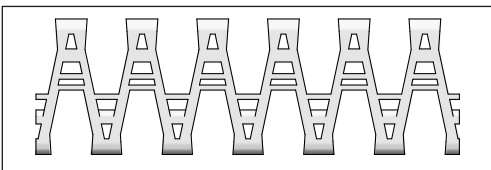
## BELT DATA

Belt materials	Temperature		Rods	Max. belt pull kg/m	Belt weight kg/m <sup>2</sup>	Standard Colours
	Min.	Max.				
PP	+ 5	100	-	-	-	Natural/Blue
			-	-	-	
			Steel	200	7,5	
POM	- 43	95	-	-	-	Natural/Blue
			-	-	-	
			Steel	450	9	

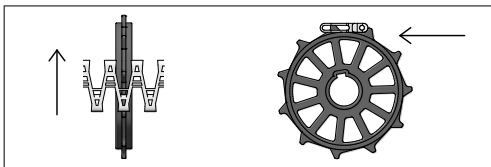
## ACCESSORIES

Type	mm
Steel reinforcement	Yes
Flights Nuds	PP,POM, Friction
Side Guard	5, 25

## CENTER MODULE



## SPROCKET ENGAGEMENT



## SPROCKET DATA

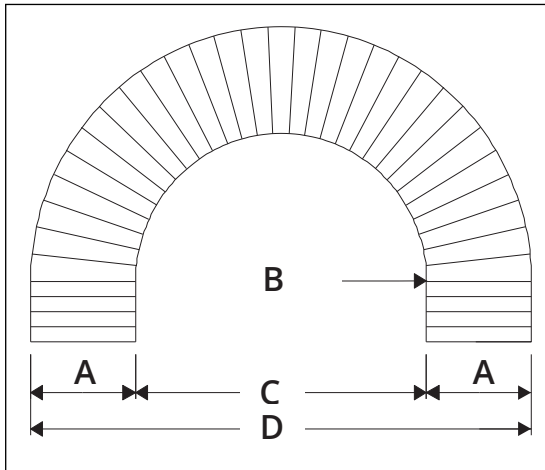
A = Outside, B = Pitch, C = Inside, D = Pitch Circle Diameter

No. Teeth	A	B	C	D	Hub Width	Round Bore		Square Bore	
	mm	mm	mm	mm		mm	Inch	mm	Inch
6	116	104	92	106	22	FLEX			
11	186	174	162	178	22	30 / 40 / 45		40	

# J.450

## BELT DIMENSIONS

J. 450 - 50 mm radius



- A = Standard belt width
- B = Inner radius
- C = Inner diameter
- D = Outer diameter

A	95	195	296	396	498	600	701	802	903	1003
B	133	283	444	614	797	960	1157	1364	1562	1775
C	266	566	888	1228	1594	1920	2314	2728	3124	3550
D	456	956	1480	2020	2590	3120	3716	4332	4930	5556

