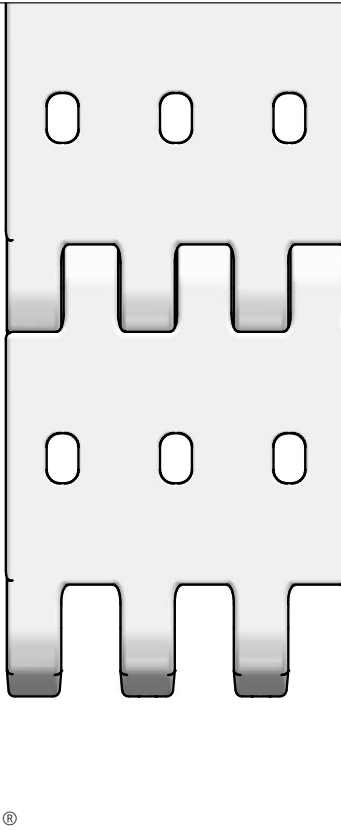


# S.75-906

Ideal for very heavy transportation. Assembling belt for cars and truck loading systems.  
FDA approved



**SCANBELT**  
...keeping industry moving...



Registered Trademark ©

## SUGGESTED INDUSTRIES



## STANDARD FEATURES

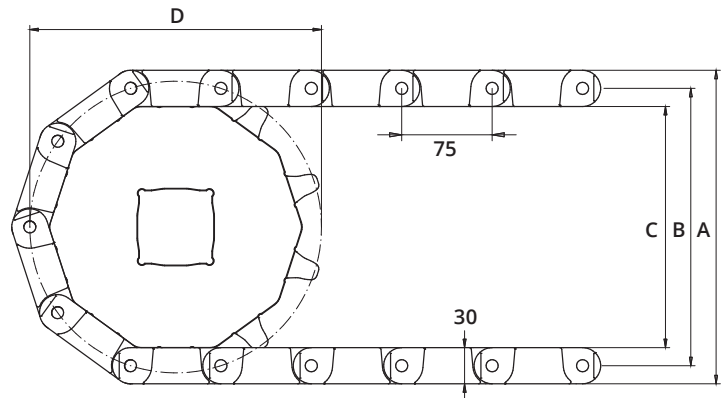
Belt surface	Perforated flat top
Open area	5 %. Biggest open area 7 x 11 mm
Strength	The right belt for very heavy applications
Cleanability	Good
Standard width	Increments of 25 mm, e.g. 100, 125 mm etc.

## BELT DATA

Belt materials	Temperature range		Max. belt pull kg/m of width	Belt weight kg/m <sup>2</sup>	Belt weight kg/m <sup>2</sup> w. steel rods	Standard Colours
	Min.	Max.				
PE	-	-	-	-	-	-
PP	+ 5	100	10.000	22	30	Black
POM	- 43	95	16.000	33	41	Black/Yellow

## ACCESSORIES

Type	mm
Flights	-
Scoop Flights	-
Bent Flights	-
Supported Flights	-
Comb Flights	25, 50, 60
Flights fitted with a Round Top	-
Side Guard	-
Friction Top	-
Hold-downs	-



## SPROCKET DATA

A = Outside, B = Pitch, C = Inside, D = Pitch Circle Diameter

No. Teeth	A	B	C	D	Hub Width	Round Bore		Square Bore	
	mm	mm	mm	mm		mm	Inch	mm	Inch
12	310	280	250	288	40	40 / 60		60 / 80 / 90	