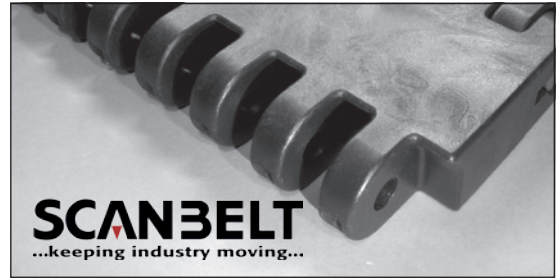
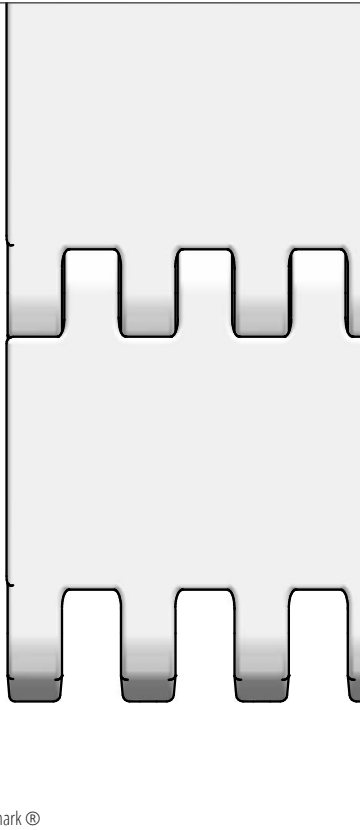


S.75-908

Very heavy transportation. Assembling belt for cars and truck loading systems.
FDA approved



SCANBELT
...keeping industry moving...



Registered Trademark ®

SUGGESTED INDUSTRIES



STANDARD FEATURES

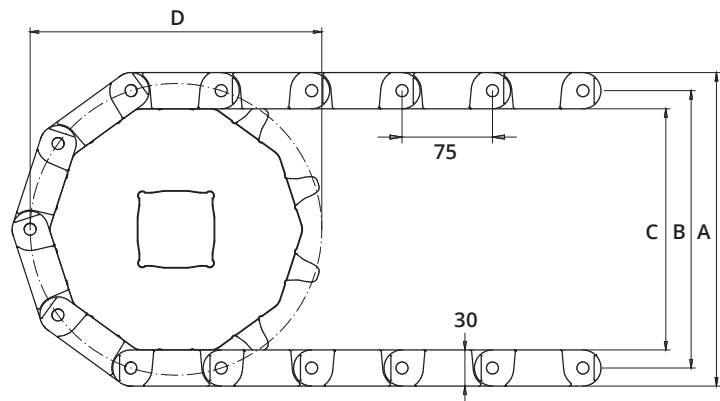
Belt surface	Closed flat top
Open area	Closed
Strength	The right belt for very heavy applications
Cleanability	Good
Standard width	Increments of 25 mm, e.g. 100, 125 mm etc.

BELT DATA

Belt materials	Temperature range		Max. belt pull kg/m of width	Belt weight kg/m ²	Belt weight kg/m ² w. steel rods	Standard Colours
	Min.	Max.				
PE	-	-	-	-	-	-
PP	+5	100	10.000	22	30	Black
POM	-43	95	16.000	33	41	Black/Yellow

ACCESSORIES

Type	mm
Flights	-
Scoop Flights	-
Bent Flights	-
Supported Flights	-
Comb Flights	25, 50, 60
Flights fitted with a Round Top	-
Side Guard	40
Friction Top	-
Hold-downs	-



SPROCKET DATA

A = Outside, B = Pitch, C = Inside, D = Pitch Circle Diameter

No. Teeth	A	B	C	D	Hub Width	Round Bore		Square Bore	
	mm	mm	mm	mm		mm	Inch	mm	Inch
	12	310	280	250		288	40	40 / 60	